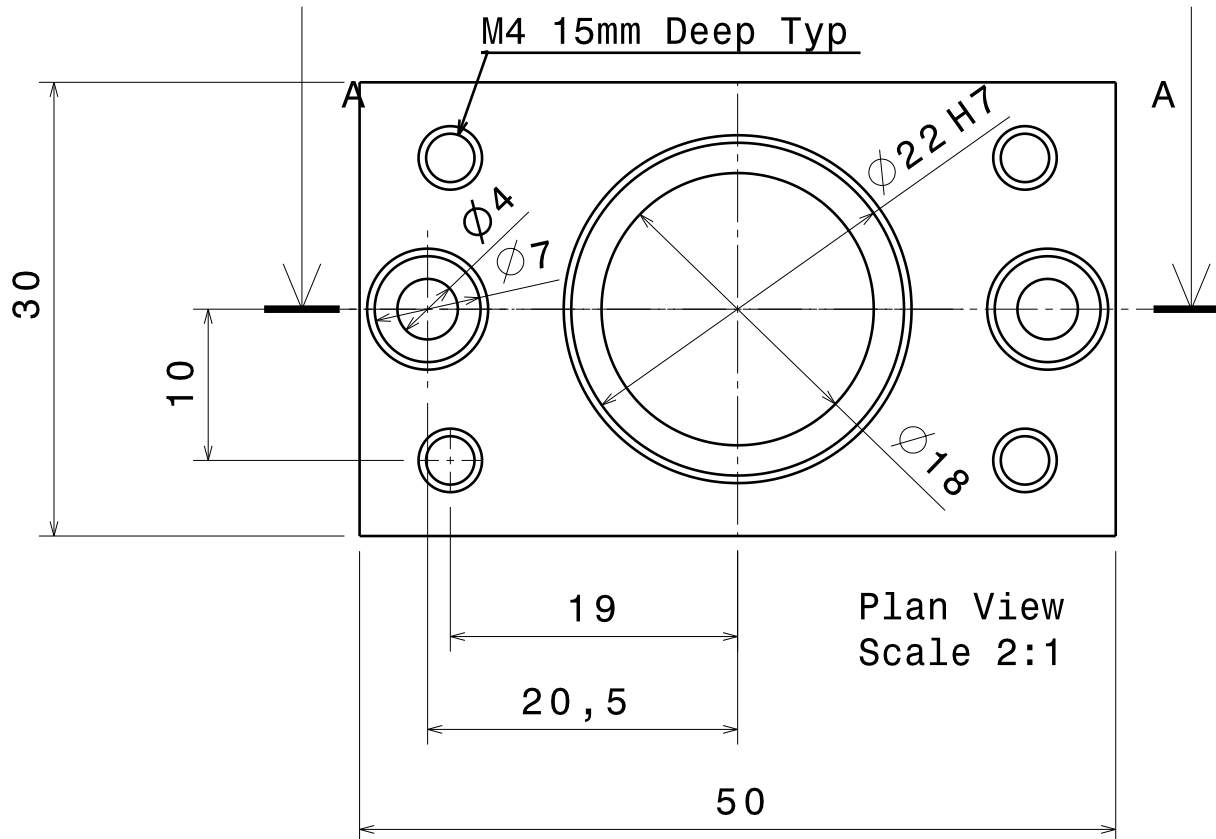
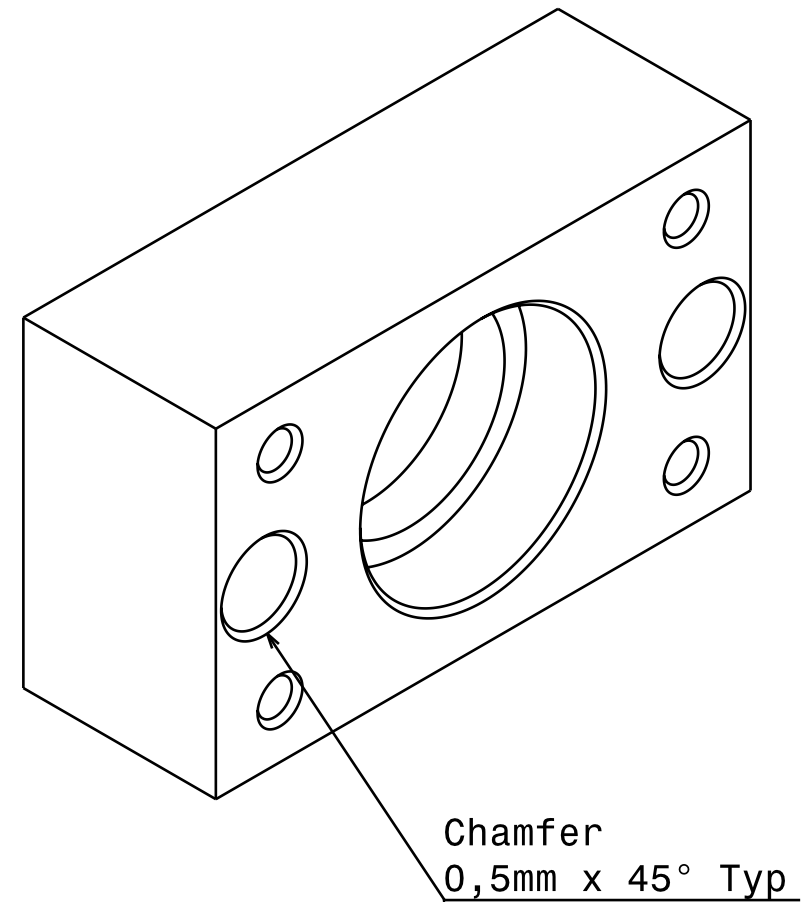


Section A-A
Scale 2:1



Plan View
Scale 2:1



Isometric View
Scale: 2:1

Cross Slide Bearing Block
Sieg 7X12 Lathe
(C) Mark Wrathall
04/SEP/2003